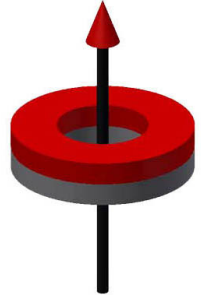
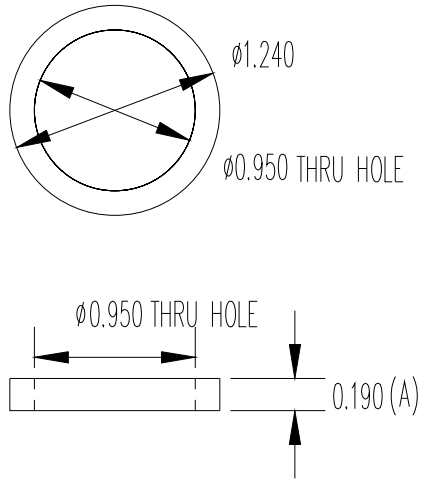


REVISIONS			
LTR	DESCRIPTION	DATE	APPROVED
-	INITIAL RELEASE		H D



UNLESS OTHERWISE SPECIFIED DIMENSIONS ARE IN INCHES	<b>RADIAL MAGNETS INC.</b>			
	108B NW 20th St. BOCA RATON, FL 33431 (561)392-2103			
TOLERANCES:				
FRACTIONS:	$\pm 1/64$	SHAPE	STRENGTH	PLATING
DECIMALS:	$\pm 0.015$	RING	N35	NiCuNi
ANGLES:	$\pm 1^\circ$			SIZE AND DIRECTION OF MAGNETIZATION (A)
MATERIAL:	NdFeB	SIZE	PART #	DRAWING #
FINISH:	NiCuNi	A	8393	RM8393
		SCALE 1 : 1	DRAWN: CG	CHECKED: HD
			APPROVED: HD	REVISION -
				PAGE 1 OF 1