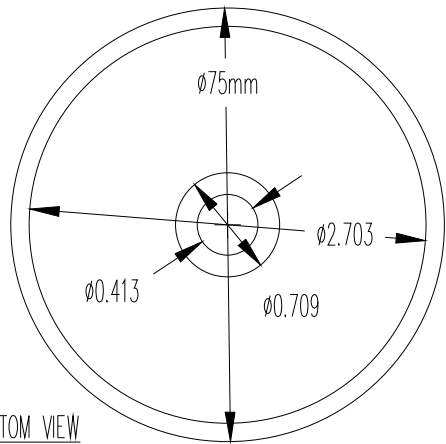
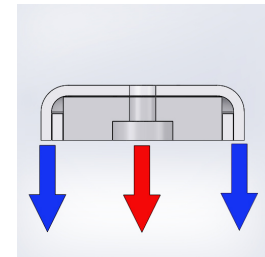
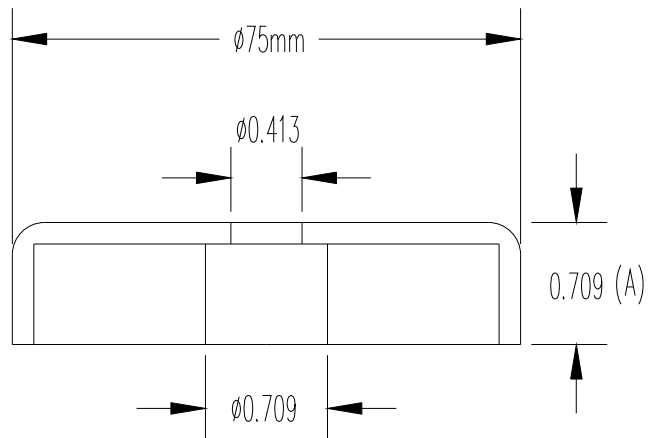
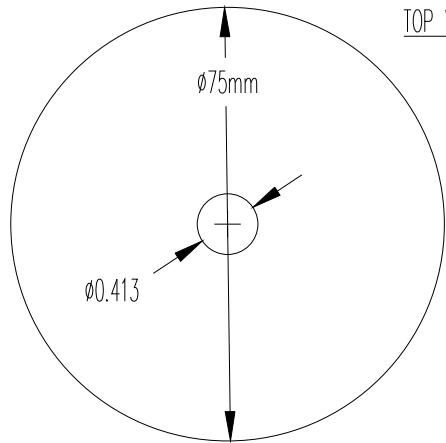


REVISIONS

LTR	DESCRIPTION	DATE	APPROVED
—	INITIAL RELEASE		H D



UNLESS OTHERWISE SPECIFIED DIMENSIONS ARE IN INCHES	
TOLERANCES:	
FRACTIONS:	$\pm 1/64$
DECIMALS:	± 0.015
ANGLES:	$\pm 1^\circ$
MATERIAL:	NdFeB
FINISH:	NiCuNi

RADIAL MAGNETS INC.

108B NW 20th St. BOCA RATON, FL 33431 (561)392-2103

SHAPE	STRENGTH	PLATING	SIZE AND DIRECTION OF MAGNETIZATION (A)
POT	N35	NiCuNi	POT B75
SIZE A	PART #	DRAWING #	REVISION
	8228	RM8228	-
SCALE 1 : 1	DRAWN: CG	CHECKED: HD	APPROVED: HD
			PAGE 1 OF 1